

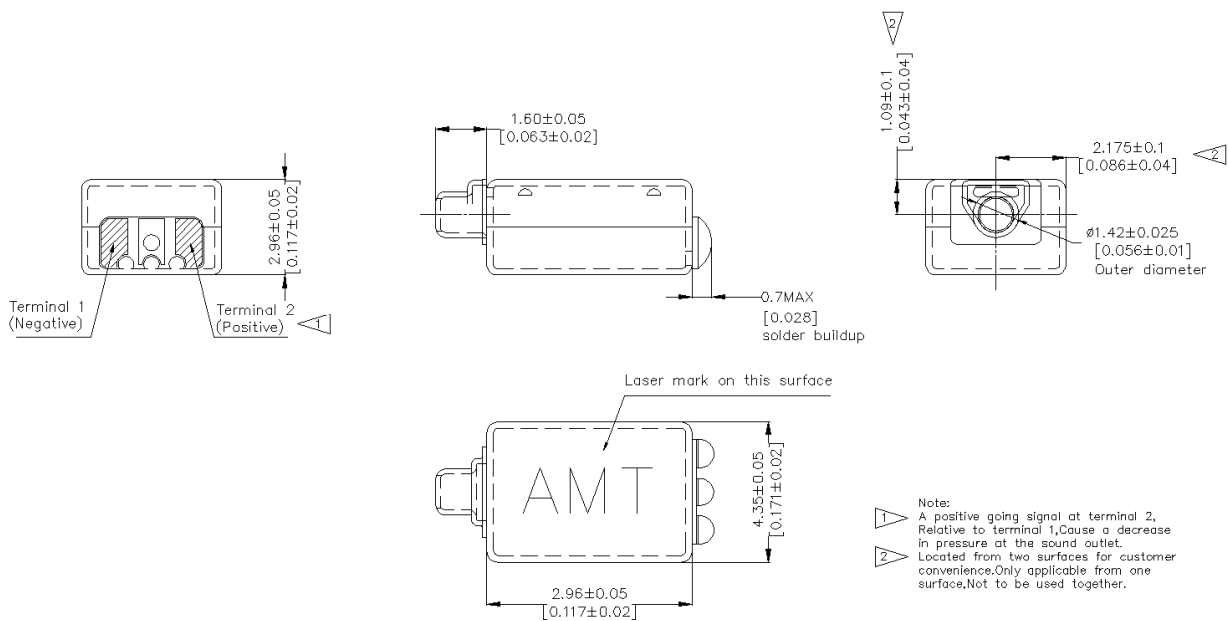
# ABAB-80-26-007

## Advantages:

- Middle size, Max. output achieve 126dB.
- Can be used in ITE or BTE
- Can be used in earphone

## Mechanical data:

- Dimensions:



- Port location: 12C
- Solder type: SAC305, and ROHS compliance

## Electrical properties:

- Isolation: The case will be electrically isolated from internal coil
- DCR and impedance:

Item	specification
DC resistance	$26\Omega \pm 10\%$
Imp@1 kHz	$93\Omega \pm 15\%$

# ABAB-80-26-007

## Acoustic specification:

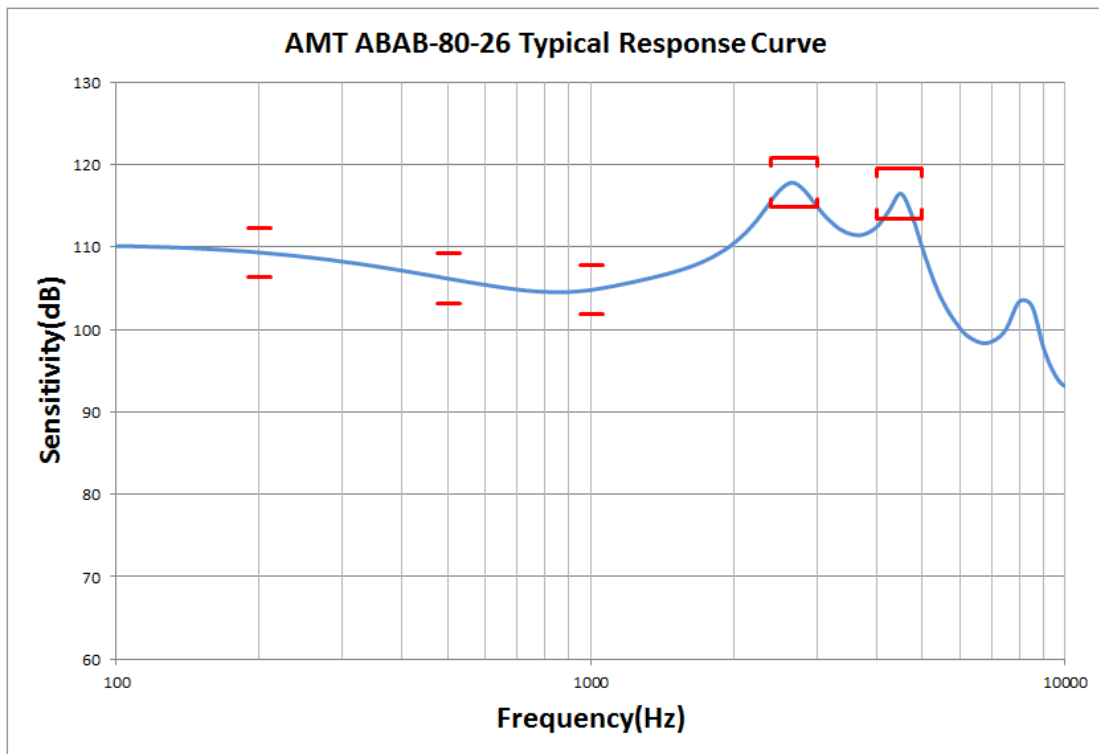
### 1, Test condition

1.1 Driver: CV 161mVrms

1.2 Tube and cavity: 10mm\*dia1.0mm tube into 711 coupler

1.3 Source requirements: source impedance <1ohm.

### 2, Typical response curve and specification:



Specification	Frequency(Hz)	Minimum	Nominal	Maximum
Sensitivity	200	106	109	112
Sensitivity	500	103	106	109
Sensitivity	1000	102	105	108
Peak 1	2400-3000	115	118	121
Peak 2	4000-5000	113	116	119

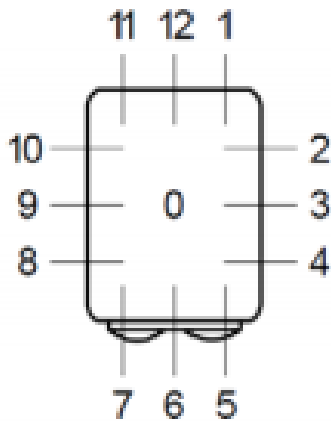
### 3, Distortion specification:

Frequency(Hz)	Drive (Vrms)	Limit (%)
1/3 Peak 1	0.161	5%
1/2 Peak 1	0.161	5%

# ABAB-80-26-007

## Port location explanation:

- Example 12S, 12 indicates the port location, S indicates tube on the centerline, details refer to below:



### Port detail code:

- N – no tube
- B – tube away from the cover
- C – tube near the cover
- S – tube on the centerline
- T – port on Top surface
- O – other situation, check the drawing

## Storage and operating requirements:

- Follow below table:

Item	Temperature (°C)	Humidity (%RH)	barometric pressure (hPa)
Storage	-40 ~ 63	10 ~ 60	500 ~ 1060
Operating/test	0 ~ 40	45 ~ 85	860 ~ 1060
Judgment	18 ~ 22	60 ~ 70	860 ~ 1060

Website: [www.amtacoustic.com](http://www.amtacoustic.com)

Office Tel: (+86) 0519-81882133

Mail box: [sales@amtacoustic.com](mailto:sales@amtacoustic.com)

Address: No.7 Lanxiang Road economic development zone  
Wujin district Changzhou City China